

MetAdaptor 2.0 Ethernet Media Converter (POE)

MetAdaptor 2.0 is an advanced Ethernet media converter developed by Seyond for the Falcon and Robin series products. MetAdaptor enables the simultaneous operation of two lidar units while converting 1000 BASE-T1 automotive Ethernet to 1000 BASE-T industrial Ethernet, ensuring seamless integration and performance.



Features

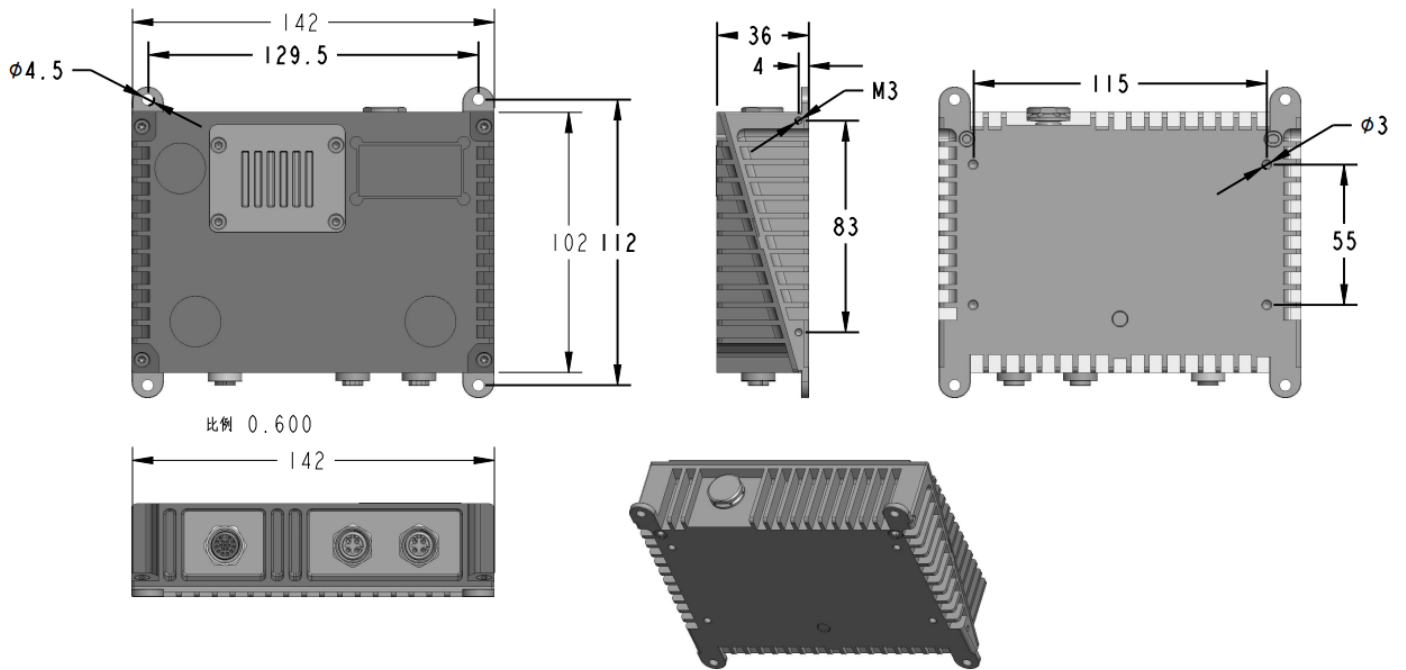
- Enable seamless data conversion for two lidar units simultaneously
- Operates effectively in extreme environments, with a temperature tolerance from -40°C to +75°C
- Supports a broad DC input range of 9-36V with reverse polarity protection for enhanced durability
- Built with a fully metal, industrial-grade enclosure offering IP67 protection against dust and water

Specifications

General Parameters	
Dimensions (H × W × D)	102 x 36 x 142mm
Input Port	2x M12-PIN4, 1000BASE-T1
Output Port	1x M12-PIN17, 1000BASE-T
Input Voltage	9-36V DC
Output Voltage	9-36V DC
Output Power (max)	110 W
Weight	600 g
Operating Temperature	-40~ + 75°C
Storage Temperature	-40~ + 85°C
Ingress Protection	IP67
Surge Protection	4KV
Performance Parameters	
Network Transmission Rate	900 Mbits/s*1 or 450 Mbits/s*2
Packet Loss Rate	<0.003%
Network Latency	<20 us
Lifespan	26000h
PoE Interface	1x Gigabit PoE Interface

Dimensions (Unit: mm)

* This size is the maximum size including connector in three dimensions. There might be some differences in later version of the size.



*Specifications are subject to change without notice and based on engineering targets. Specs are not guaranteed to have passed full validation at the time of publication.